



03

LED Minor Surgical Light Medical Examination Light



Mobile Floor Type

JD1400L JD1100
JD1500L JD1100L
JD1600L JD1200L
JD1700L JD1500 LED
 JD1500 Halogen

Ceiling Type

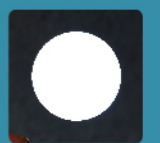
1700

Clip-on Type

JD1200J JD1600J



- This product adopt professional optical technology design, light distributed uniform, portable and any angle can be bending.
- Floor type, clip-on type etc.
- Widely used in Dental, ENT, Gynecology, Plastic Surgery, Cosmetology, Outpatient, Orthopedics, Ophthalmology, etc, as instrument of examination, small surgery and auxiliary illumination.



LED Minor Surgical Light

JD1700

30W

- Sensor Switch
- High Brightness
- More Energy Saving
- Facula Concentration



■ Technical Data	
Model	JD1700
Voltage	AC 95~245V 50/60Hz
Power	30W
Bulb Life	50000hrs
Color Temperature	4000-5000K
Facula diameter	130mm
Light Intensity	5200~80000LUX
Switch type	Touch/Sensor Switch
Brightness Adjust	✓

LED Minor Surgical Light

JD1700L

30W

- Sensor Switch
- High Brightness
- More Energy Saving
- Facula Concentration



■ Technical Data	
Model	JD1700L
Voltage	AC 95~245V 50/60Hz
Power	30W
Bulb Life	50000hrs
Color Temperature	4000-5000K
Facula diameter	130mm
Light Intensity	5200~80000LUX
Switch type	Touch/Sensor Switch
Brightness Adjust	✓

Medical Examination Light

JD1600L Mobile

15W

- Professional optical technology design
- Focus distributed uniform
- Small and portable, and any angle can be bending



■ Technical Data	
Model	JD1600L
Voltage	AC 95~245V 50/60Hz
Power	15W
Bulb Life	50000hrs
Color Temperature	5000±10%
Facula diameter	15-250mm
Light Intensity	20000-65000LUX
Spot Size Adjust	✓
Brightness Adjust	✓

Medical Examination Light

JD1200L Mobile

12W

- Professional optical technology design
- Focus distributed uniform
- Small and portable, and any angle can be bending



■ Technical Data	
Model	JD1200L
Voltage	AC 95~245V 50/60Hz
Power	12W
Bulb Life	50000hrs
Color Temperature	5000±10%
Facula diameter	10-270mm
Light Intensity	20000-50000LUX
Spot Size Adjust	✓
Brightness Adjust	✓

Medical Examination Light

Medical Examination Light

JD1600J Clip-on

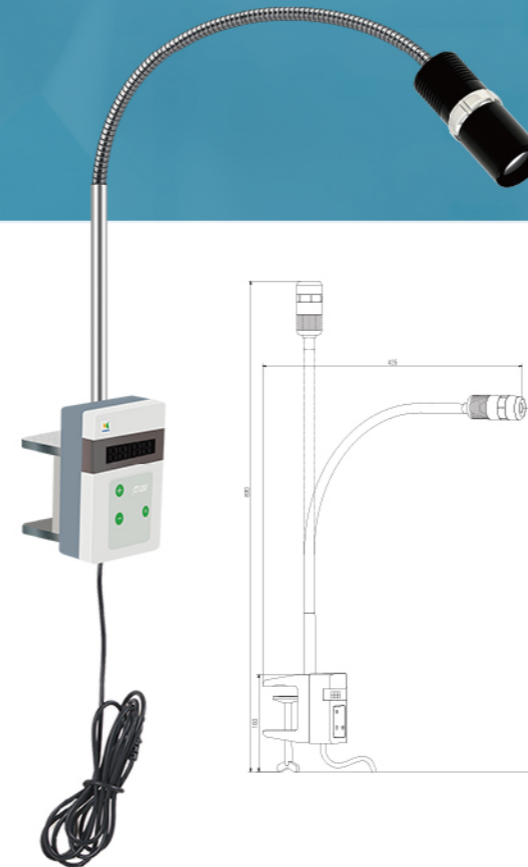
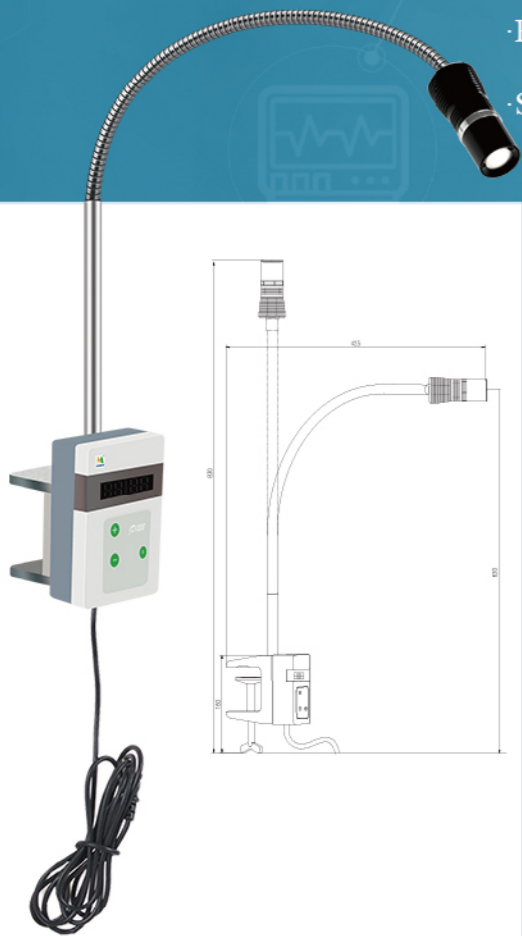
JD1200J Clip-on

15W

12W

- Professional optical technology design
- Focus distributed uniform
- Small and portable, and any angle can be bending

- Professional optical technology design
- Focus distributed uniform
- Small and portable, and any angle can be bending



■ Technical Data	
Model	JD1600J
Voltage	AC 95~245V 50/60Hz
Power	15W
Bulb Life	50000hrs
Color Temperature	5000±10%
Facula diameter	15-250mm
Light Intensity	20000-65000LUX
Spot Size Adjust	✓
Brightness Adjust	✓



■ Technical Data	
Model	JD1200J
Voltage	AC 95~245V 50/60Hz
Power	12W
Bulb Life	50000hrs
Color Temperature	5000±10%
Facula diameter	15-270mm
Light Intensity	20000-50000LUX
Spot Size Adjust	✓
Brightness Adjust	✓

Medical Examination Light

Medical Examination Light

JD1100 Mobile

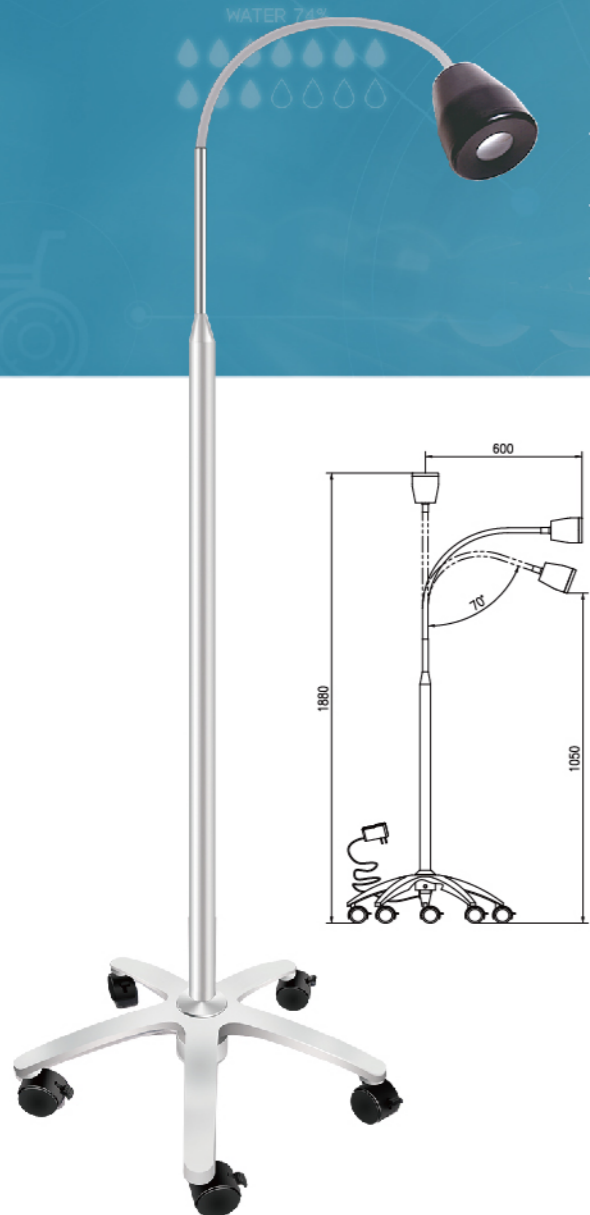
JD1100L Mobile

3W

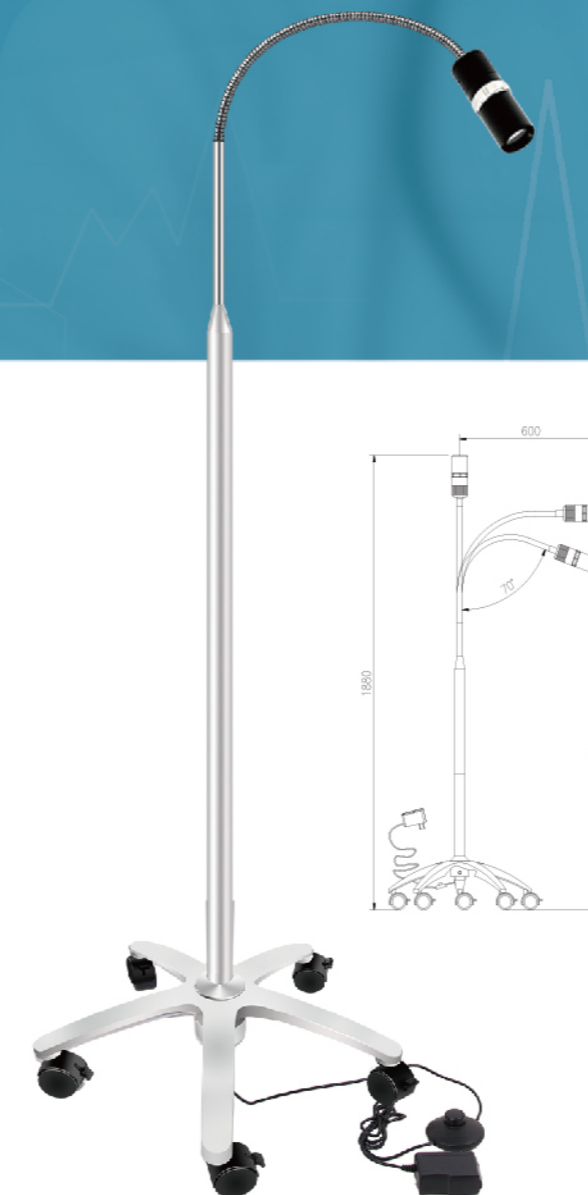
7W

- Professional optical technology design
- Focus distributed uniform
- Small and portable, and any angle can be bending

- Professional optical technology design
- Focus distributed uniform
- Small and portable, and any angle can be bending



■ Technical Data	
Model	JD1100
Voltage	AC 95~245V 50/60Hz
Power	3W
Bulb Life	50000hrs
Color Temperature	5000±500K
Facula diameter	70-205mm
Light Intensity	≥20000LUX



■ Technical Data	
Model	JD1100L
Voltage	AC 95~245V 50/60Hz
Power	7W
Bulb Life	50000hrs
Color Temperature	5000±10%
Facula diameter	10-270mm
Light Intensity	≥40000LUX
Switch type	Foot switch
Spot Size Adjust	✓

Medical Examination Light

Medical Examination Light

JD1400L Portable

JD1500L Portable

7W

3W

- Professional optical technology design
- Focus distributed uniform
- Small and portable, and any angle can be bending

- Professional optical technology design
- Focus distributed uniform
- Small and portable, and any angle can be bending



Technical Data	
Model	JD1400L
Voltage	AC 95~245V 50/60Hz
Power	7W
Bulb Life	50000hrs
Color Temperature	5000±10%
Facula diameter	10-270mm
Light Intensity	≥40000LUX
Switch type	Foot switch
Spot Size Adjust	✓

Technical Data	
Model	JD1500L
Voltage	AC 95~245V 50/60Hz
Power	3W
Bulb Life	50000hrs
Color Temperature	5000±10%
Facula diameter	70-205mm
Light Intensity	≥20000LUX

Medical Examination Light

Medical Examination Light

JD1500 (Halogen) Mobile

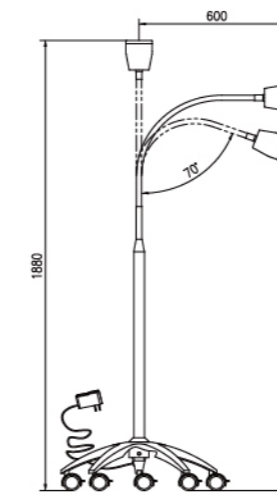
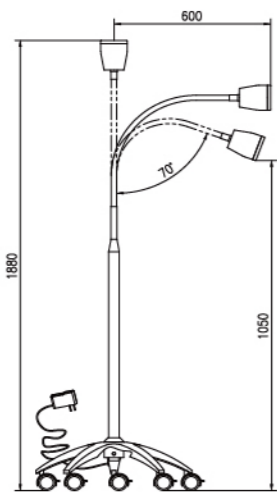
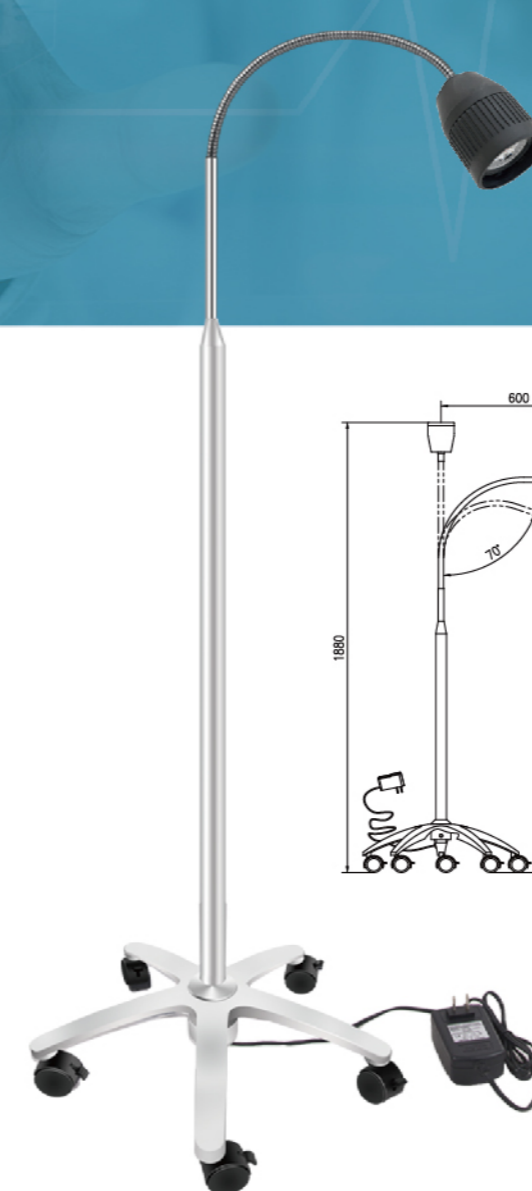
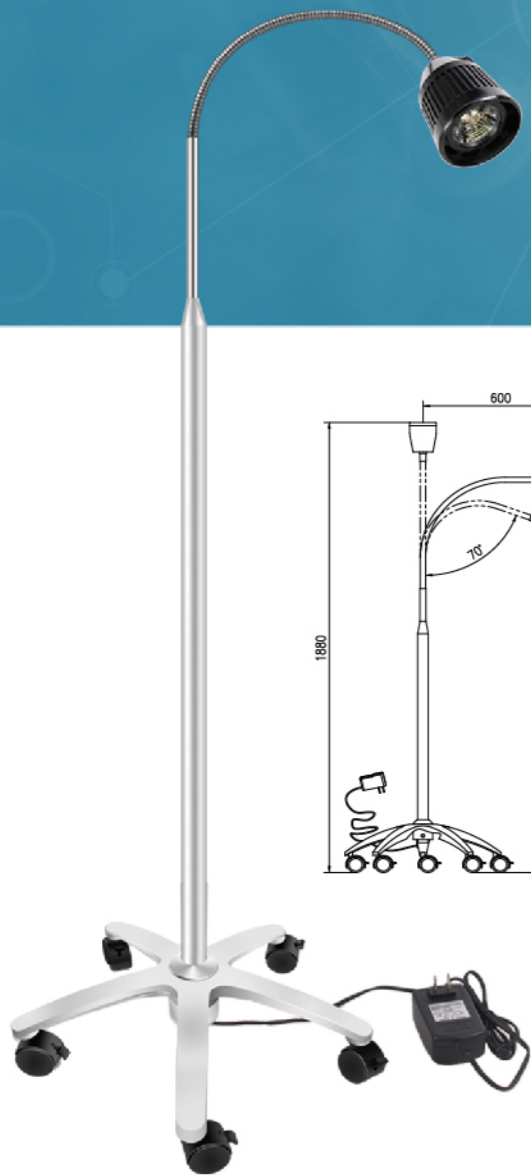
JD1500 (LED) Mobile

35W

3W

- Professional optical technology design
- Focus distributed uniform
- Small and portable, and any angle can be bending

- Professional optical technology design
- Focus distributed uniform
- Small and portable, and any angle can be bending



■ Technical Data	
Model	JD1500 (Halogen)
Voltage	AC 95~245V 50/60Hz
Power	35W
Bulb Life	2000hrs
Color Temperature	3000K±10%
Facula diameter	60-320mm
Light Intensity	≥20000LUX

■ Technical Data	
Model	JD1500 (LED)
Voltage	AC 95~245V 50/60Hz
Power	3W
Bulb Life	50000hrs
Color Temperature	5000K
Facula diameter	15-270mm
Light Intensity	20000LUX